

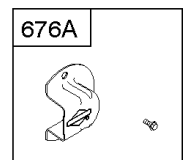
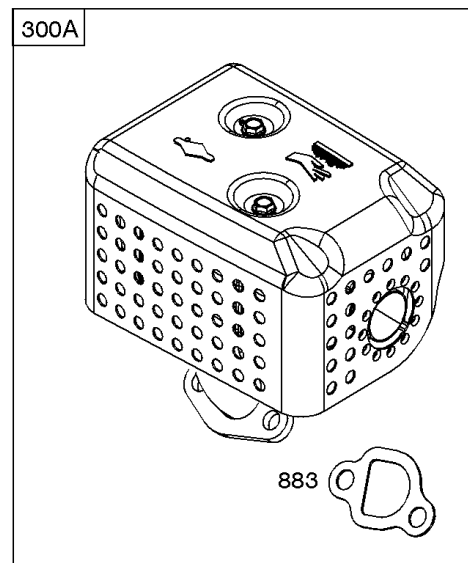
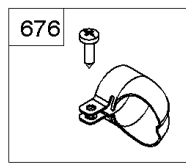
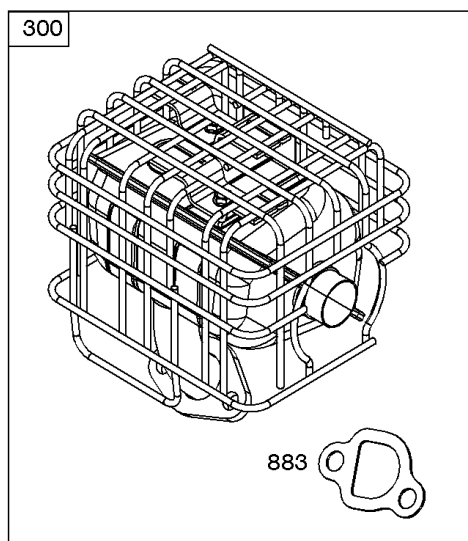
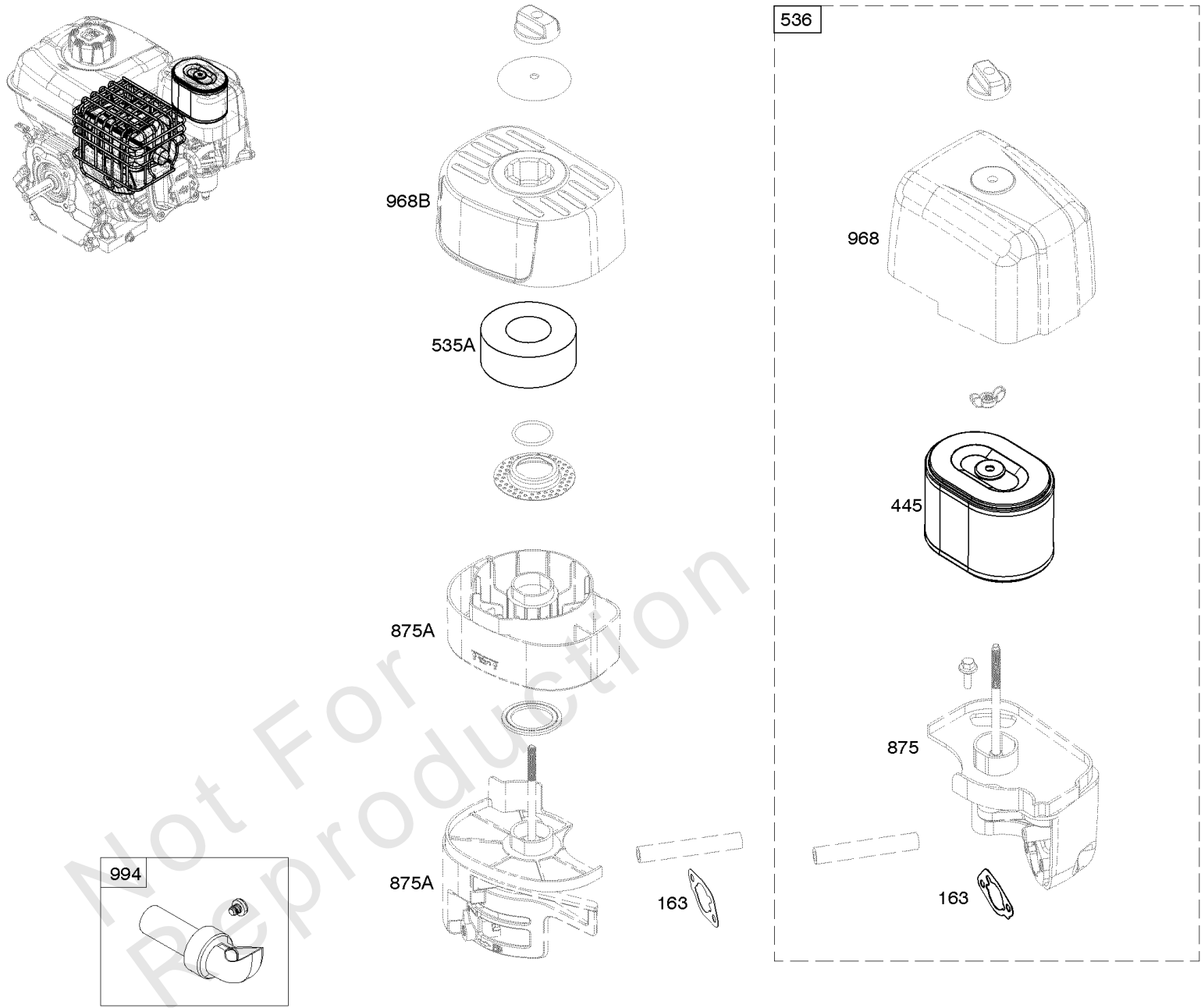


Parts Manual

Mfg. No: 13R232-0002-H1

Model Components	Page
Air Cleaner, Exhaust System.....	4
Armature, Controls, Electrical System, Governor Spring, Ignition, Spark Plug.....	6
Blower Housing, Flywheel, Rewind Starter.....	8
Camshaft, Crankcase Cover, Crankshaft, Cylinder, Piston/Rings/Connecting Rod, Warning Label.....	10
Carburetor.....	12
Cylinder Head, Gasket Sets.....	14
Fuel Supply.....	16
Replacement Engine - US & Canada.....	18

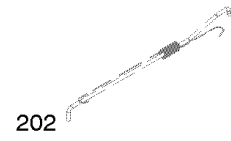
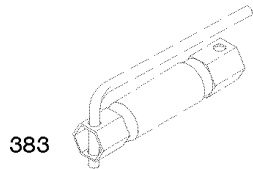
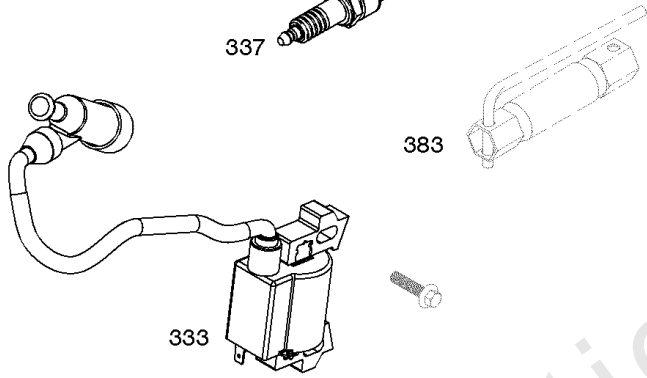
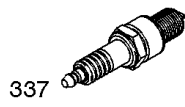
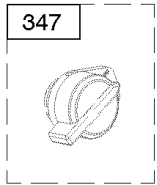
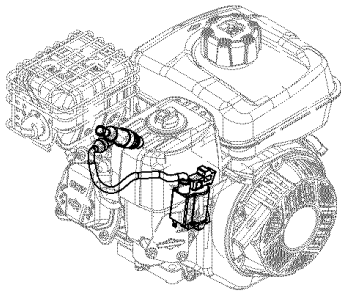
Not For
Reproduction



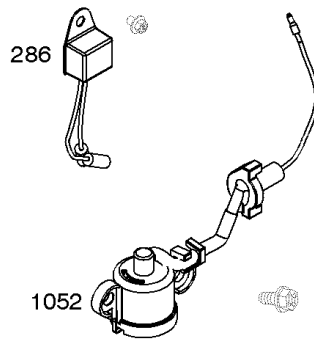
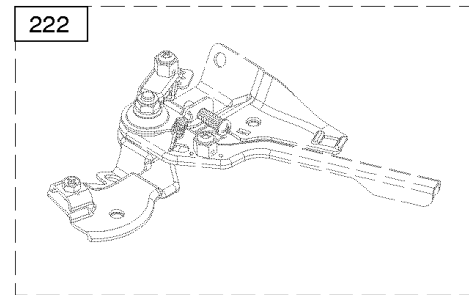
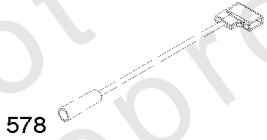
Air Cleaner, Exhaust System

REF NO	PART NO	QTY	DESCRIPTION
163	-----		Gasket-Air Cleaner -(Not Available Individually) (See Reference 121, 125 & 358 For Replacement)
300	594953		MUFFLER
445	590601		FILTER, A/C Cartridge
536	-----		Cleaner-Air -(Currently Not Available)
875	-----		Base-Air Cleaner -(Currently Not Available)
875A	-----		Gasket-Air Cleaner -(Currently Not Available)
883	-----		Gasket-Exhaust -(Not Available Individually) (See Reference 300, 300A & 358 For Replacement)
968	597384		COVER, Air Cleaner
968B	XXXX		Cover-Air Cleaner -(Currently Not Available)
994	595809		ARRESTOR, Spark

Not For Reproduction



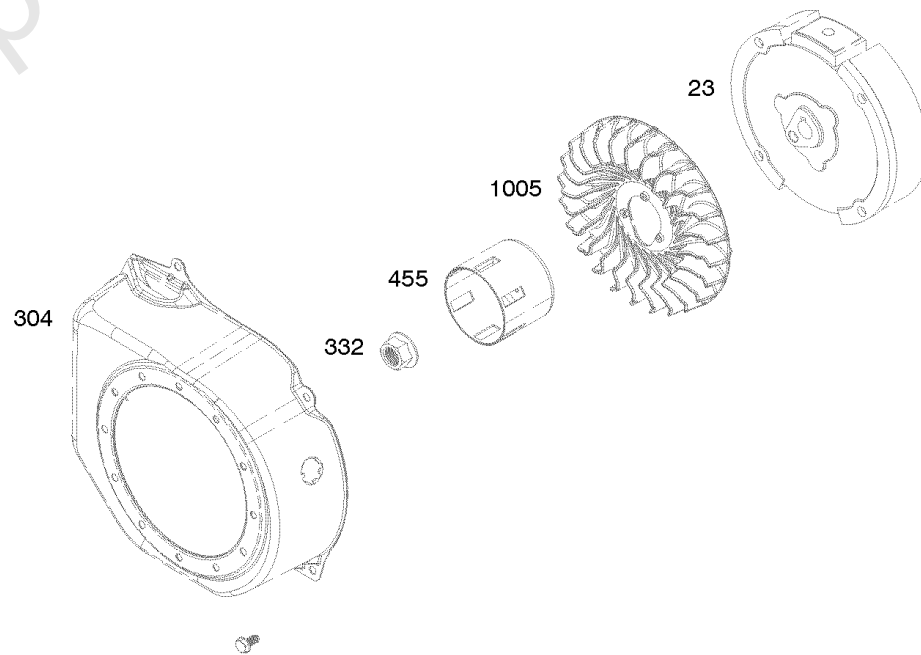
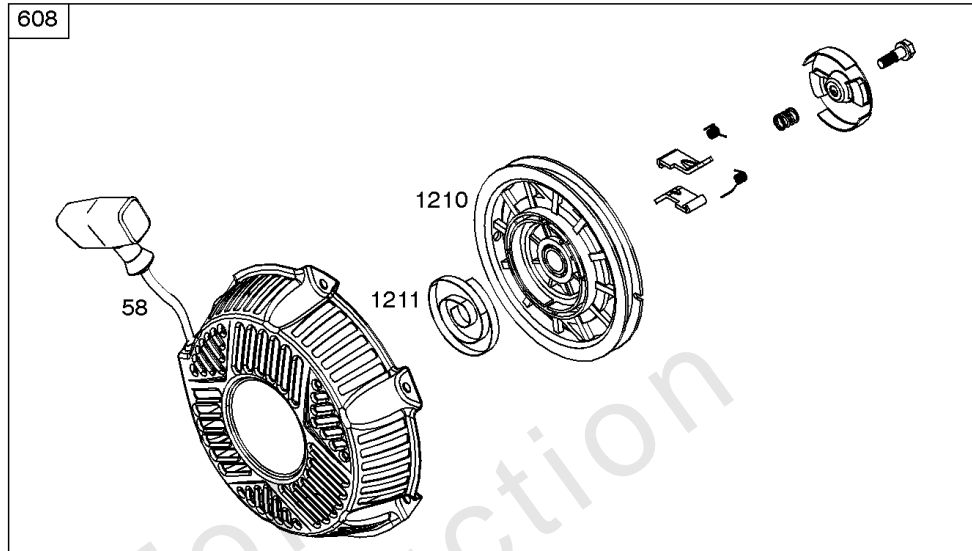
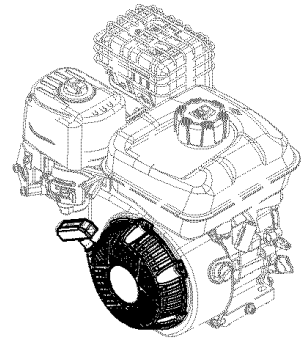
Not For
Reproduction



Armature, Controls, Electrical System, Governor Spring, Ignition, Spark Plug

REF NO	PART NO	QTY	DESCRIPTION
202	-----		Link-Mechanical Governor -(Currently Not Available)
209	-----		Spring-Governor -(Currently Not Available)
222	-----		Bracket-Control -(Currently Not Available)
286	594949		MODULE, Oil Sensor
333	590603		ARMATURE, Magneto
337	691043		PLUG, Spark -(EMS)
347	597430		SWITCH, Rocker
383	-----		Wrench-Spark Plug -(Currently Not Available)
578	-----		Wire Assembly -(Currently Not Available)
1052	594950		SENSOR, Oil

Not For Reproduction



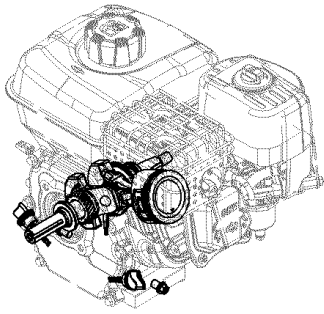
Blower Housing, Flywheel, Rewind Starter

REF NO	PART NO	QTY	DESCRIPTION
23	-----		Flywheel -(Currently Not Available)
58	693389		ROPE, Starter -(Cut To Required Length)
304	-----		Housing-Blower -(Currently Not Available)
332	-----		Nut -(Flywheel) (Currently Not Available)
455	-----		Cup-Flywheel -(Currently Not Available)
608	590607		STARTER, Rewind
1005	-----		Fan-Flywheel -(Currently Not Available)
1210	-----		Pulley/Spring Assembly -(Pulley) (Not Available Individually) (See Reference 608 For Replacement)
1211	-----		Pulley/Spring Assembly -(Spring) (Not Available Individually) (See Reference 608 For Replacement)

Not For Reproduction

Camshaft, Crankcase Cover, Crankshaft, Cylinder, Piston/Rings/Connecting Rod, Warning

Mfg. No: 13R232-0002-H1



1319 WARNING LABEL

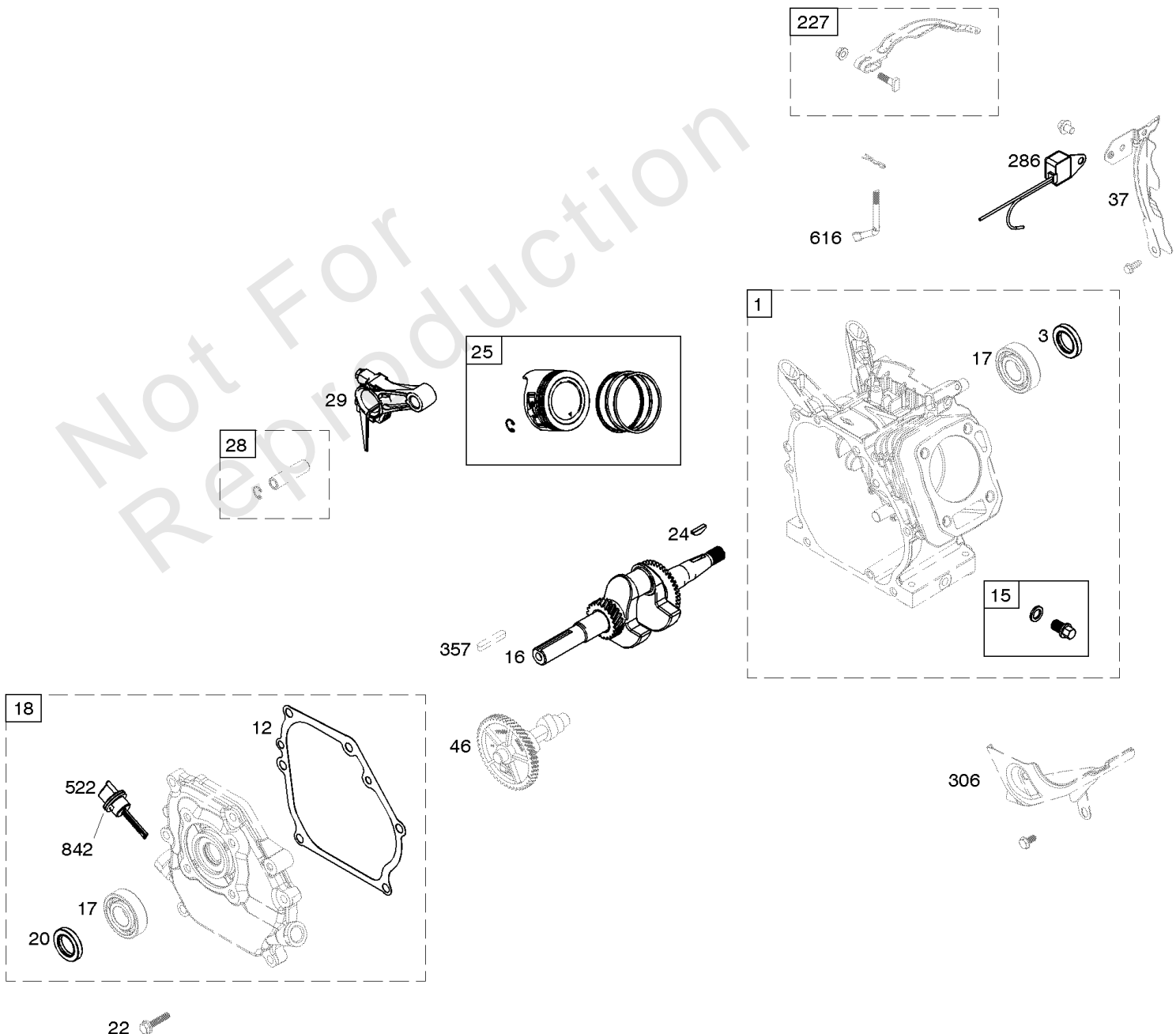
WARNING	
	Read and follow Operating Instructions before running engine.
	Gasoline is flammable. Allow engine to cool at least 2 minutes before refueling.
	Engines emit carbon monoxide, DO NOT run in enclosed area.
	Muffler area temperature may exceed 150°F. Do not touch hot parts.

REQUIRED when replacing parts with warning labels affixed.

1319A WARNING LABEL

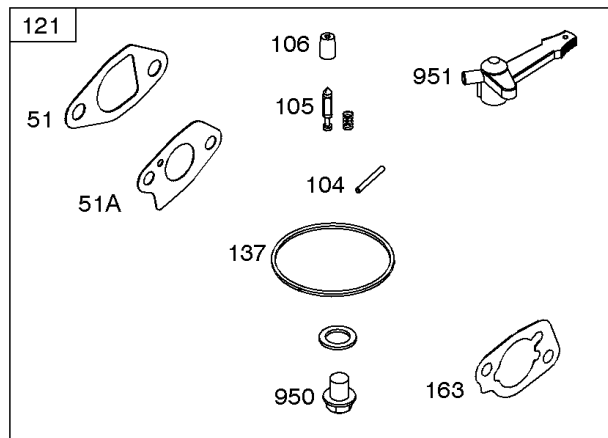
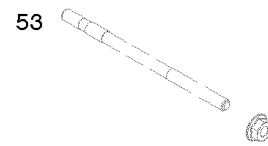
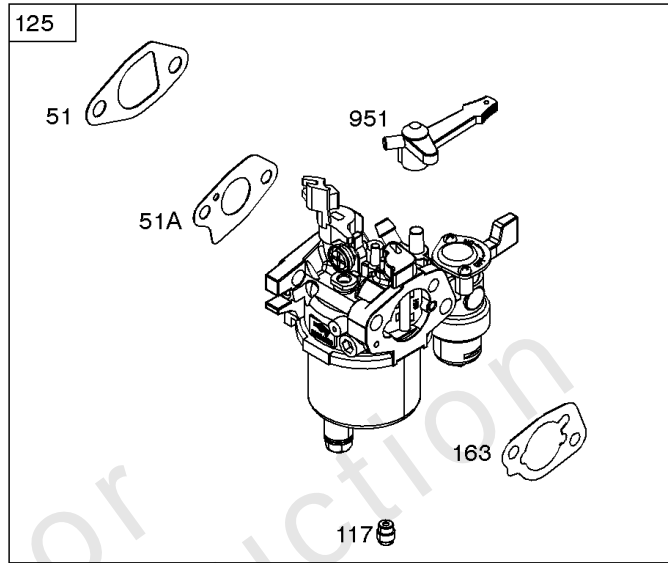
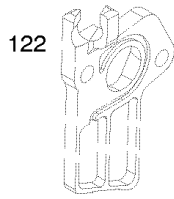
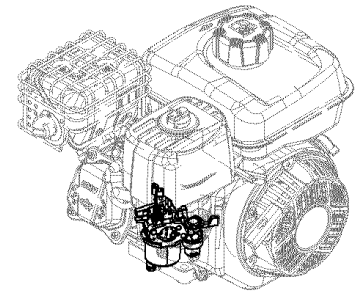
REQUIRED when replacing parts with warning labels affixed.

1036 EMISSIONS LABEL



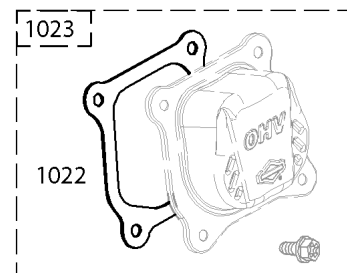
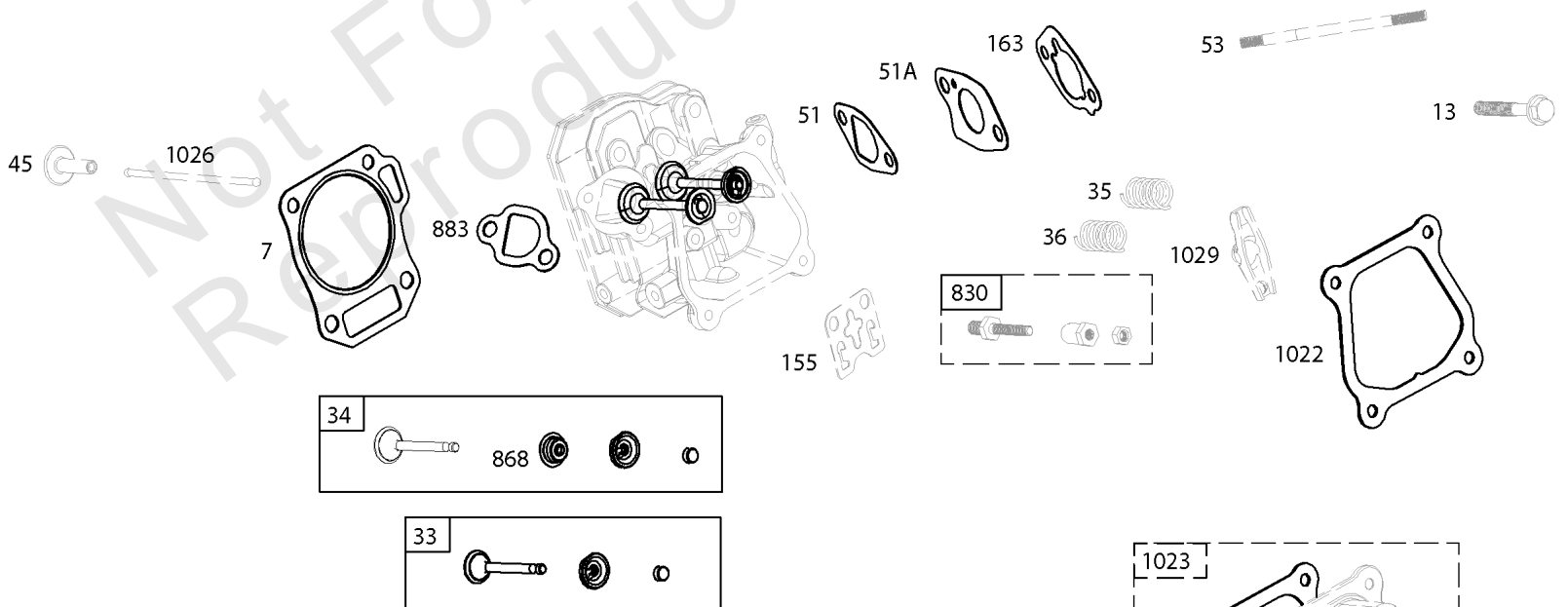
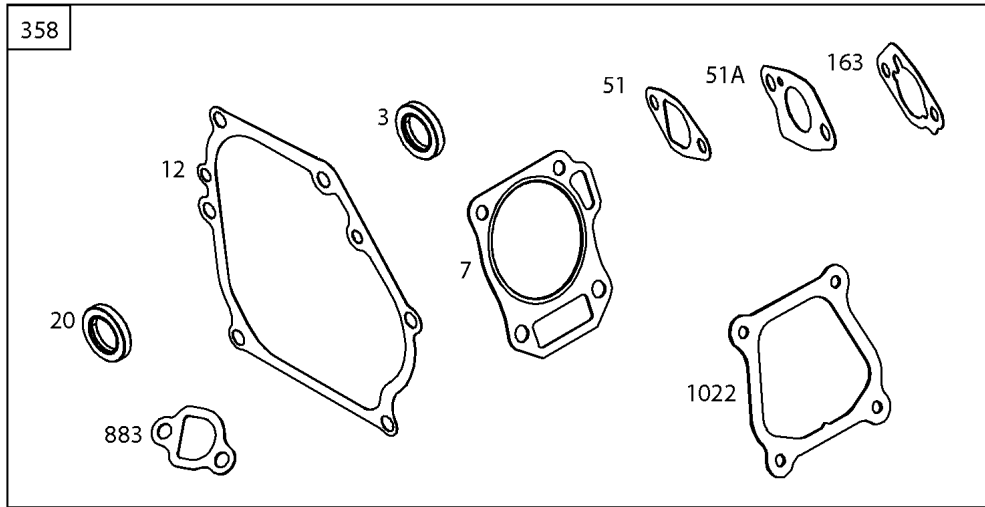
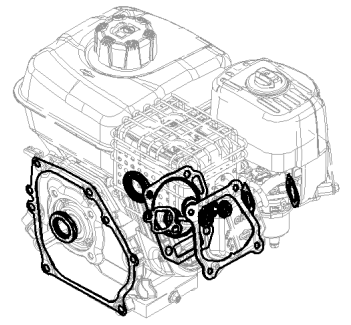
Camshaft, Crankcase Cover, Crankshaft, Cylinder, Piston/Rings/Connecting Rod, Warning

REF NO	PART NO	QTY	DESCRIPTION
1	-----		Cylinder Assembly -(Currently Not Available)
3	-----		Seal-Oil -(Magneto Side) (Not Available Individually) (See Reference 358 For Replacement)
12	-----		Gasket-Crankcase -(Not Available Individually) (See Reference 358 For Replacement)
15	590678		PLUG, Oil Drain
16	591520		CRANKSHAFT
17	-----		Bearing-Ball -(Currently Not Available)
18	-----		Cover-Crankcase -(Currently Not Available)
20	-----		Seal-Oil -(PTO Side) (Not Available Individually) (See Reference 358 For Replacement)
22	-----		Screw -(Crankcase Cover/Sump) (Currently Not Available)
24	797286		KEY, Flywheel
25	592955		PISTON ASSEMBLY -(Standard)
28	-----		Pin-Piston -(Currently Not Available)
29	590665		ROD, Connecting
37	-----		Guard-Flywheel -(Currently Not Available)
46	-----		Camshaft -(Currently Not Available)
227	-----		Lever-Governor Control -(Currently Not Available)
286	594949		MODULE, Oil Sensor
306	-----		Shield-Cylinder -(Currently Not Available)
357	-----		Key-Drive Pulley -(Currently Not Available)
522	590716		PLUG, Dipstick/Fill
616	-----		Crank-Governor -(Currently Not Available)
842	-----		Seal-O Ring -(Dipstick Tube) (Not Available Individually) (See Reference 358 & 522 For Replacement)
1036	-----		Label-Emissions -(Available From A Briggs & Stratton Authorized Dealer)
1319	794467		LABEL, Warning
1319A	797669		LABEL, Warning



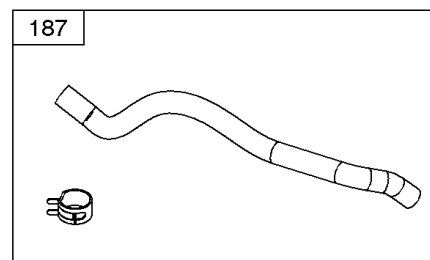
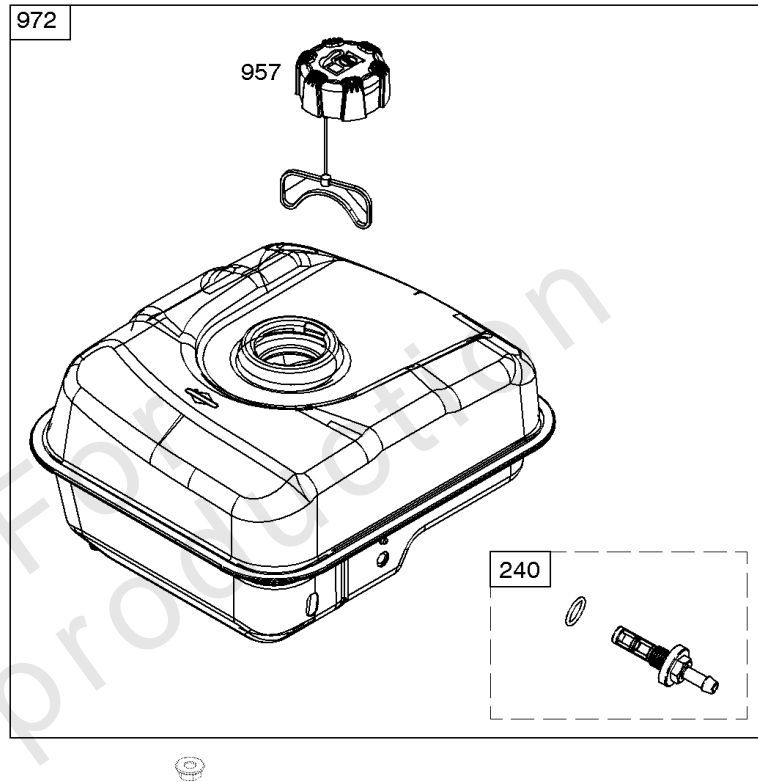
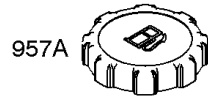
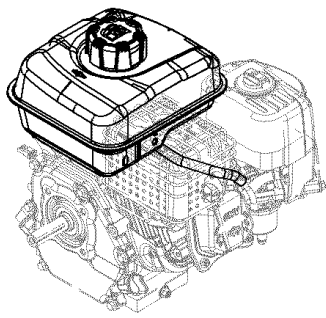
Carburetor

REF NO	PART NO	QTY	DESCRIPTION
51	-----		Gasket-Air Cleaner -(Not Available Individually) (See Reference 121, 125 & 358 For Replacement)
51A	-----		Gasket-Intake -(Not Available Individually) (See Reference 121, 125 & 358 For Replacement)
53	-----		Stud -(Carburetor) (Currently Not Available)
104	-----		Pin-Float Hinge -(Not Available Individually) (See Reference 121 For Replacement)
105	-----		Valve-Float Needle -(Not Available Individually) (See Reference 121 For Replacement)
106	-----		Seat-Inlet -(Not Available Individually) (See Reference 121 For Replacement)
117	591861		JET, Main -(Standard) -Used After Code Date 16111300
117	592875		JET, Main -(Standard) -Used Before Code Date 16111400
118	592875		JET, Main -(High Altitude) -Used After Code Date 16111300
118	592917		JET, Main -(High Altitude) -Used Before Code Date 16111400
121	594958		KIT, Carburetor Overhaul
122	-----		Spacer-Carburetor -(Currently Not Available)
125	596080		CARBURETOR -Used After Code Date 16031000
125	595783		CARBURETOR -Used Before Code Date 16031100
137	-----		Gasket-Float Bowl -(Not Available Individually) (See Reference 121 For Replacement)
163	-----		Gasket-Air Cleaner -(Not Available Individually) (See Reference 121, 125 & 358 For Replacement)
950	-----		Screw-Float Bowl -(Not Available Individually) (See Reference 121 For Replacement)
951	-----		Lever-Choke -(Not Available Individually) (See Reference 121 & 125 For Replacement)



Cylinder Head, Gasket Sets

REF NO	PART NO	QTY	DESCRIPTION
3	-----		Seal-Oil -(Magneto Side) (Not Available Individually) (See Reference 358 For Replacement)
7	-----		Gasket-Cylinder Head -(Not Available Individually) (See Reference 358 For Replacement)
12	-----		Gasket-Crankcase -(Not Available Individually) (See Reference 358 For Replacement)
13	-----		Screw -(Cylinder Head) (Currently Not Available)
20	-----		Seal-Oil -(PTO Side) (Not Available Individually) (See Reference 358 For Replacement)
33	591448		VALVE, Exhaust
34	591447		VALVE, Intake
35	-----		Spring-Valve -(Intake) (Currently Not Available)
36	-----		Spring-Valve -(Exhaust) (Currently Not Available)
45	-----		Tappet-Valve -(Currently Not Available)
51	-----		Gasket-Intake -(Not Available Individually) (See Reference 121, 125 & 358 For Replacement)
51A	-----		Gasket-Intake -(Not Available Individually) (See Reference 121, 125 & 358 For Replacement)
53	-----		Stud -(Carburetor) (Currently Not Available)
155	-----		Plate-Cylinder Head -(Currently Not Available)
163	-----		Gasket-Air Cleaner -(Not Available Individually) (See Reference 121, 125 & 358 For Replacement)
358	594951		GASKET SET, Engine
830	-----		Stud-Rocker Arm -(Currently Not Available)
868	-----		Seal-Valve -(Currently Not Available)
883	-----		Gasket-Exhaust -(Not Available Individually) (See Reference 300, 300A & 358 For Replacement)
1022	-----		Gasket-Rocker Cover -(Not Available Individually) (See Reference 358 For Replacement)
1023	-----		Cover-Rocker -(Currently Not Available)
1026	-----		Rod-Push -(Currently Not Available)
1029	-----		Arm-Rocker -(Currently Not Available)



Fuel Supply

REF NO	PART NO	QTY	DESCRIPTION
187	791766		LINE, Fuel -(Cut To Required Length)
240	-----		Filter-Fuel -(Not Available Individually) (See Reference 972 For Replacement)
957	799324		CAP, Fuel Tank
957A	794641		CAP, Fuel Tank
972	594967		TANK, Fuel -Used Before Code Date 16031100
972	595650		TANK, Fuel -Used After Code Date 16031000

Not For Reproduction

Replacement Engine - US & Canada

REF NO	PART NO	QTY	DESCRIPTION
--------	---------	-----	-------------

Not For Reproduction

